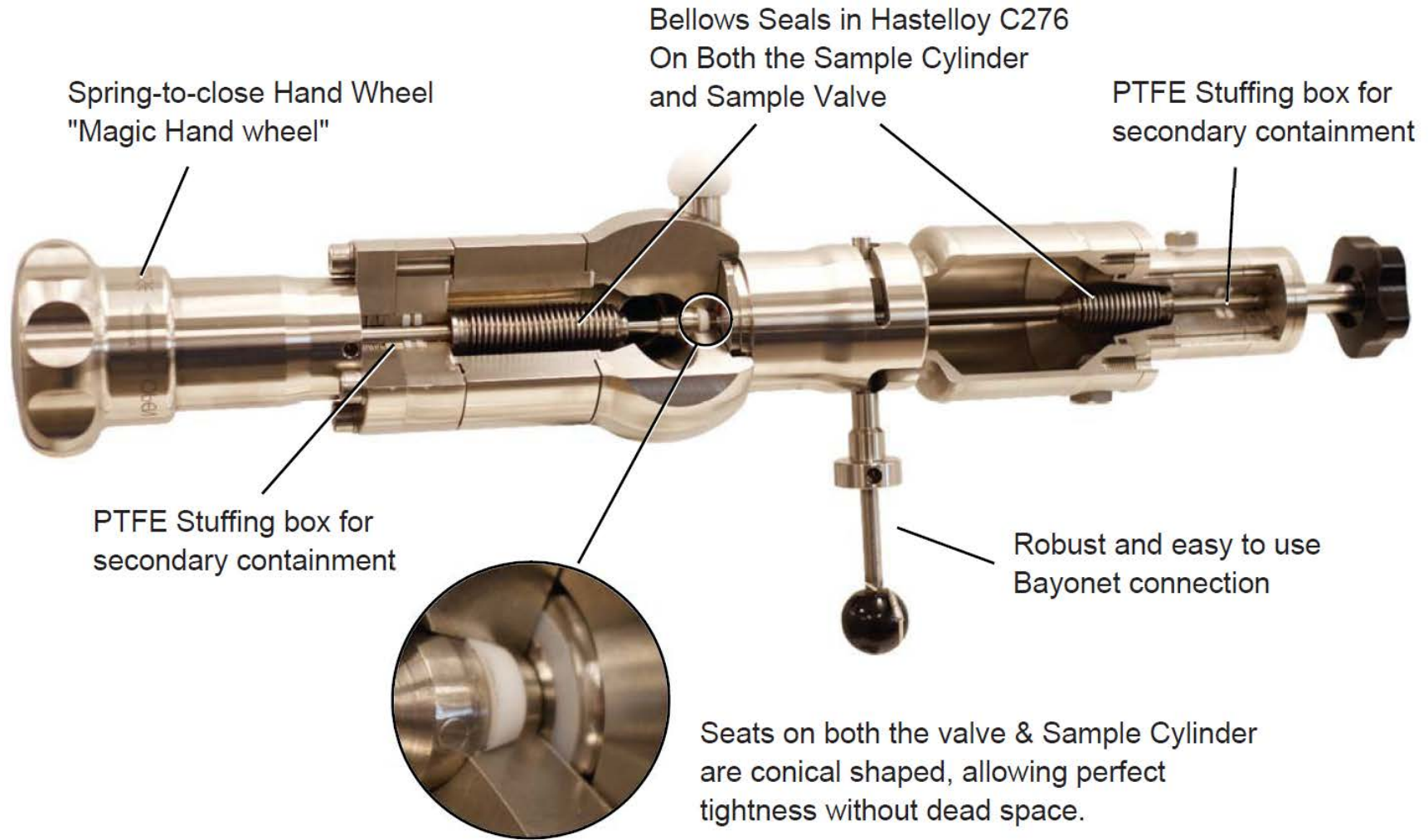


# A better way to sample into a closed cylinder

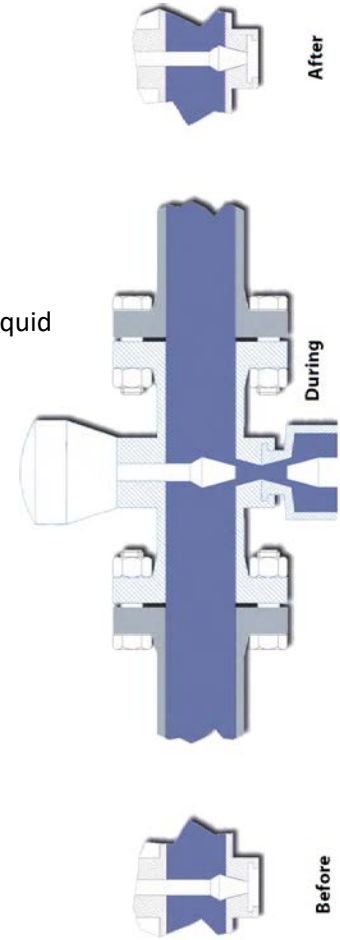
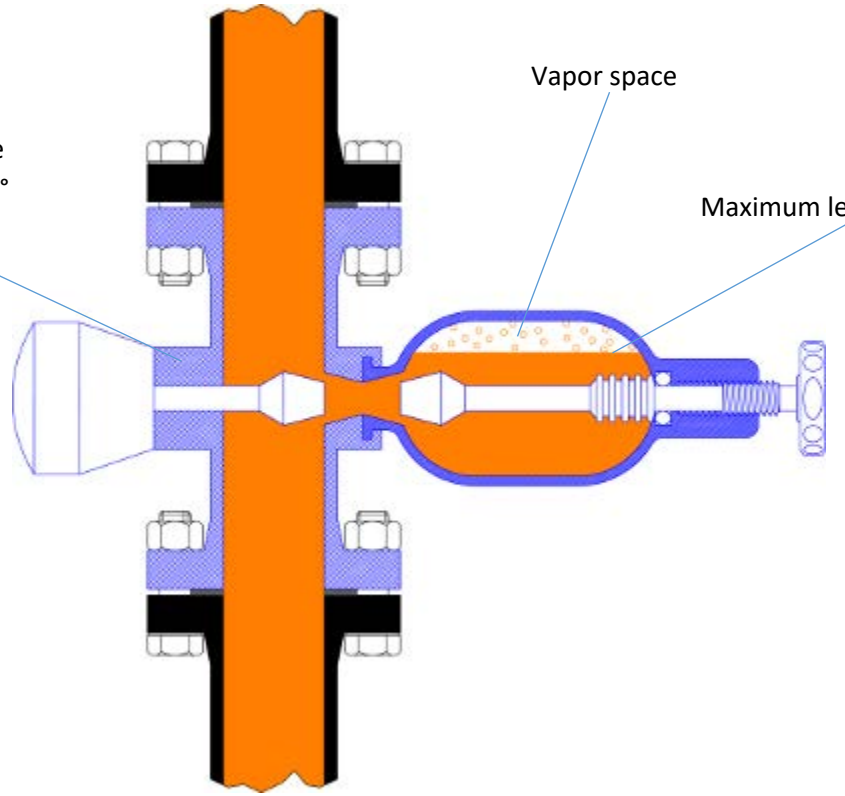
What this looks like:



# A Safe & Simple alternative to Sample Panel and Closed Loop System

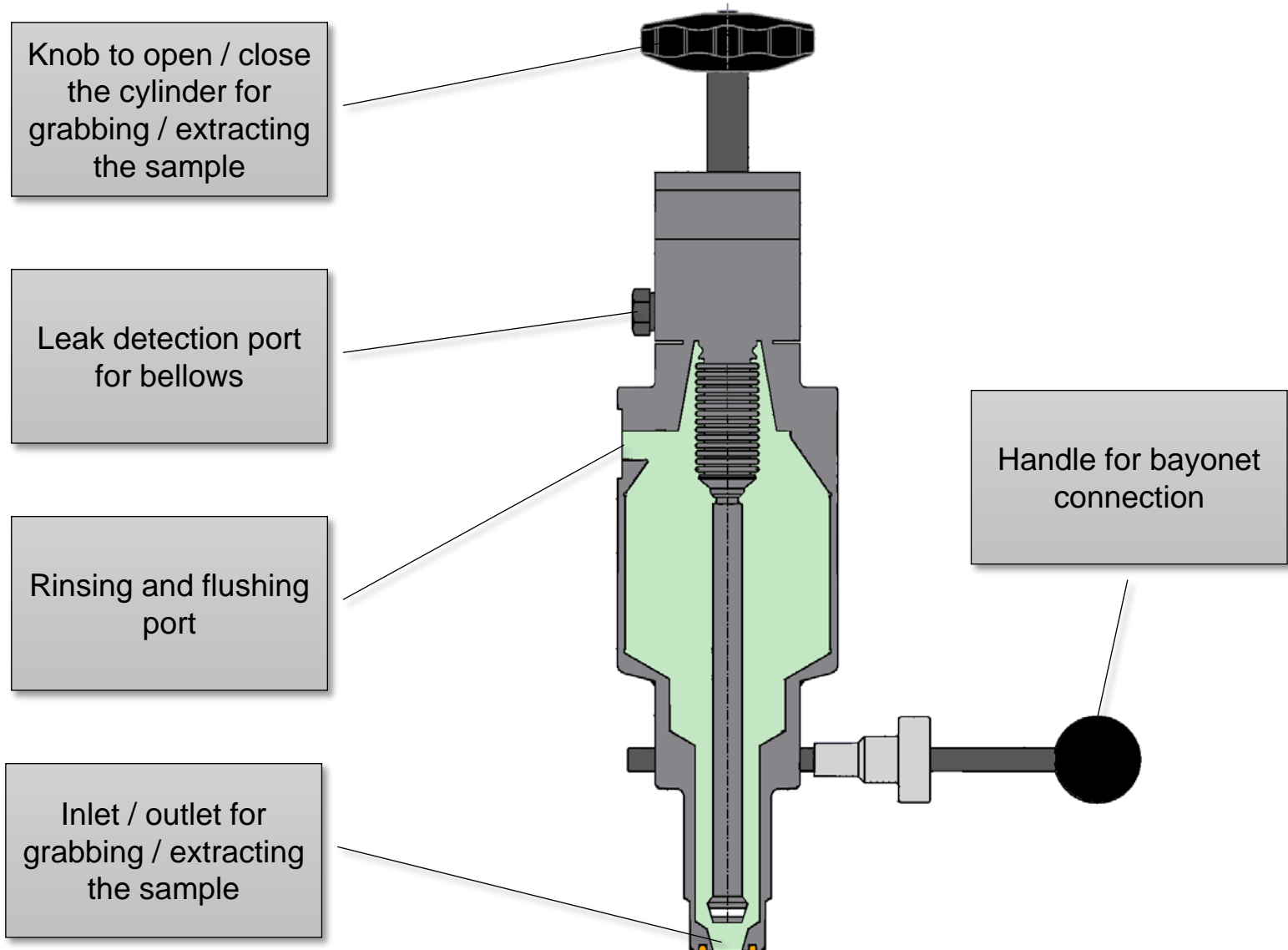
BIAR Sample valves and cylinders have NO DEAD SPACE:

In-line Sample Valve can be connected on a vertical pipe or on a horizontal pipe at 90°



# A better way to sample into a closed cylinder

The sample cylinder:



# A better way to sample into a closed cylinder

Extracting the sample from the cylinder:

